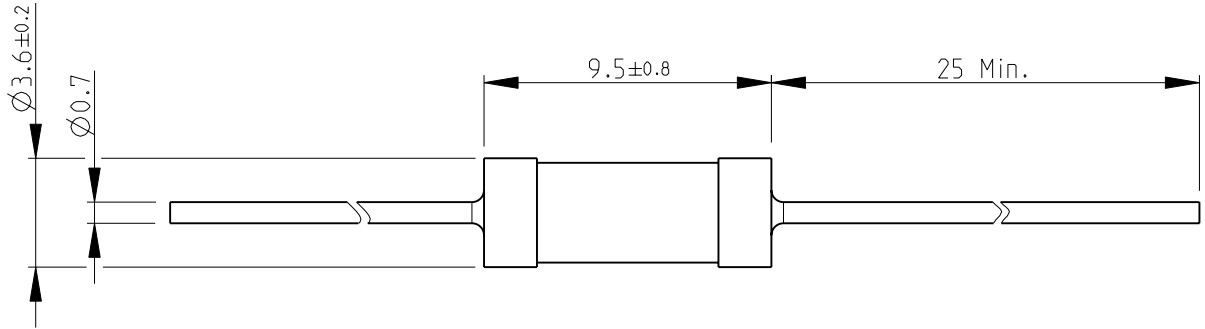
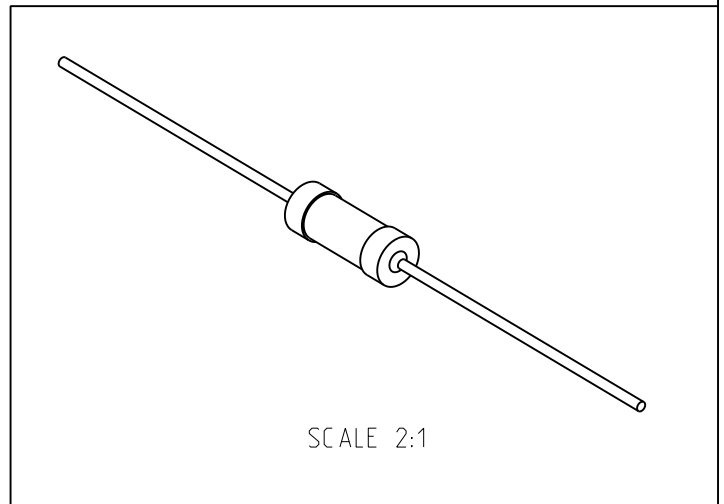


LOC	DIST	REVISIONS			
P	LTR	DESCRIPTION	DATE	DWN	APVD
E	B	A1	REVISED PER ECO-11-005150	29MAR2011	RK HMR

FOR FURTHER INFORMATION SEE DATA SHEET FOR
CBT SERIES-CARBON COMPOSITION RESISTORS



RoHS Compliant



SCALE 2:1

2008

RELEASED FOR PUBLICATION


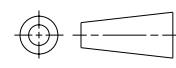
THIS DRAWING IS UNPUBLISHED.

ALL RIGHTS RESERVED.

BY -

© COPYRIGHT 2008



DIMENSIONS: mm	DWN SUBHASH.M	18-Sep-08	MATERIAL	-	FINISH	-
	CHK PRAKASH.S	18-Sep-08	 TE Connectivity			
TOLERANCES UNLESS OTHERWISE SPECIFIED:	APVD STEPHEN.P	18-Sep-08				
	0 PLC ± 0.2	PRODUCT SPEC	NAME CARBON COMPOSITION RESISTORS SERIES CBT50			
1 PLC ± 0.1	-					
2 PLC \pm	APPLICATION SPEC	SIZE A 4				
3 PLC \pm	-					
4 PLC \pm	-	CAGE CODE 00779				
ANGLES $\pm 5^\circ$	-					
	WEIGHT	-	DRAWING NO C-1625876			
	CUSTOMER DRAWING					
SCALE			4:1	SHEET		1 OF 1
REV			A1			